

[54] **FOLDABLE ROLLING WALKER**  
 [75] Inventor: **Eric P. Rose, Canoga Park, Calif.**  
 [73] Assignee: **Guardian Products, Inc., Arleta, Calif.**  
 [\*\*] Term: **14 Years**  
 [21] Appl. No.: **141,896**

[22] Filed: **Jan. 11, 1988**  
 [52] U.S. Cl. .... **D12/130; D12/128**  
 [58] Field of Search ..... **D12/128, 130; 280/87.02 W, 87.04 R; 272/70.3; 297/5, 6; D34/17; 135/67**

[56] **References Cited**  
**U.S. PATENT DOCUMENTS**

D. 281,771	12/1985	Webb	.....	D12/130
D. 289,507	4/1987	Danielsson	.....	D12/130
D. 293,663	1/1988	Erfarth	.....	D12/130
1,917,440	7/1933	Finkbeiner et al.	.....	135/67
2,450,051	9/1948	Manning	.....	280/647
2,960,148	11/1960	Murcott	.....	135/67
2,996,070	8/1961	Ries	.....	135/67
3,098,651	7/1963	Murcott	.....	272/70.3
3,194,577	7/1965	Berlin	.....	280/643
3,350,095	10/1967	Clasen	.....	297/6
3,354,893	11/1967	Schmerl	.....	297/6
3,397,883	8/1968	Kiehn	.....	297/5
3,398,974	8/1968	Edwards et al.	.....	297/5
3,778,052	12/1973	Andow et al.	.....	135/67
3,872,945	3/1975	Hickman	.....	297/5
3,945,389	3/1976	Smith	.....	135/45 A
3,999,228	12/1976	Thomas	.....	297/5
4,046,374	9/1977	Breyley	.....	272/70.3
4,086,932	5/1978	Richardson	.....	135/67
4,094,330	6/1978	Jong	.....	135/67
4,159,110	6/1979	Dodenhoff	.....	297/5
4,164,354	8/1979	Rodaway	.....	280/42
4,187,869	2/1980	Marchetti	.....	135/67
4,188,966	2/1980	Palmer	.....	135/67
4,211,309	7/1980	Ruggiero	.....	297/5
4,211,426	7/1980	Motloch	.....	297/5
4,251,044	2/1981	Olson	.....	135/67
4,251,105	2/1981	Barker	.....	297/6
4,253,678	3/1981	Leclerc	.....	297/6
4,254,948	3/1981	Jacobs	.....	297/5
4,261,804	4/1981	Mueller	.....	272/70.3
4,272,071	6/1981	Bolton	.....	135/67

4,277,100	7/1981	Beougher	.....	135/67
4,289,156	9/1981	Ulics	.....	135/66
4,332,378	6/1982	Pryor	.....	135/67
4,341,381	7/1982	Norberg	.....	135/67
4,342,465	8/1982	Stillings	.....	135/67
4,387,891	6/1983	Knochel	.....	135/67
4,461,471	7/1984	Brastow	.....	135/67
4,510,956	4/1985	King	.....	135/67

**OTHER PUBLICATIONS**

The DMA Advertisement Discloses Lightweight, Foldable Push Chairs—Brochure 7/1988.  
 The Wheel-A-Walk® Advertisement Discloses a Rolling Walker with Adjustable Height Handles and Braking action—Advertisement 11/1988.  
 The Rollator Kombi Advertisement Discloses a Rolling Walker Having Adjustable Height Handles and Brakes—Brochure 6/1988.  
 The Uniscan Advertisement Discloses Rolling Walkers Which Fold and Provide Automatically—Locking Brake Action—Brochure 7/1988.  
 The Odatt Medical Products, Inc. Advertisement Discloses Rolling Walkers Having a Seat Which can be Raised and Lowered, RX Home-Care, Nov. 1986.  
 The American Walker Walk-A-Cycles Advertisement Discloses Rolling Walkers Having Adjustable Handles and Brakes, RX Home Care 1987 Buyers Guide.

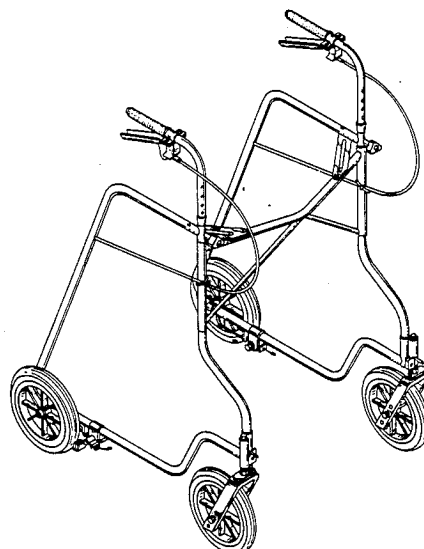
*Primary Examiner*—Wallace R. Burke  
*Assistant Examiner*—Kay H. Chin  
*Attorney, Agent, or Firm*—Christie, Parker & Hale

[57] **CLAIM**

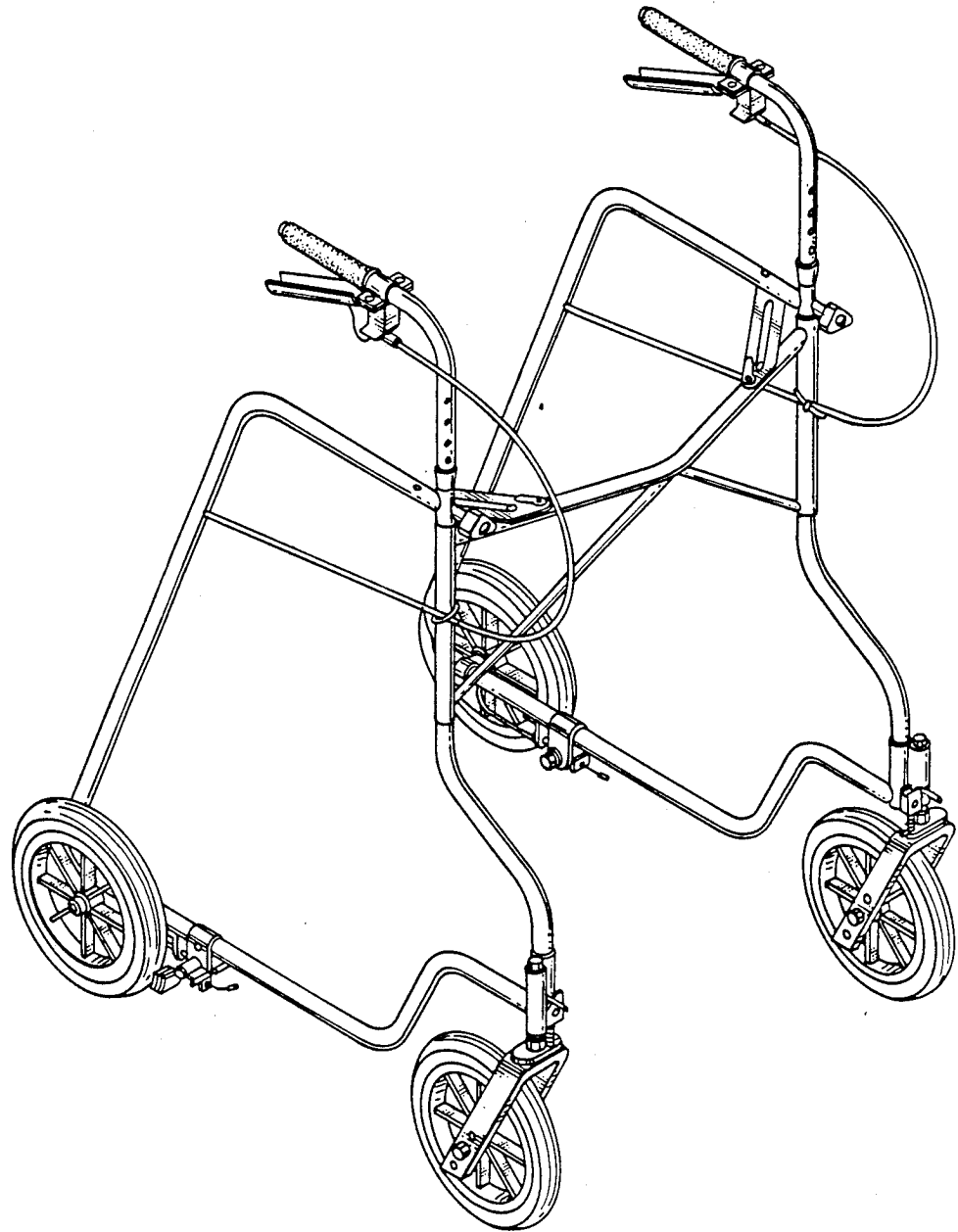
The ornamental design for a foldable rolling walker, as shown and described.

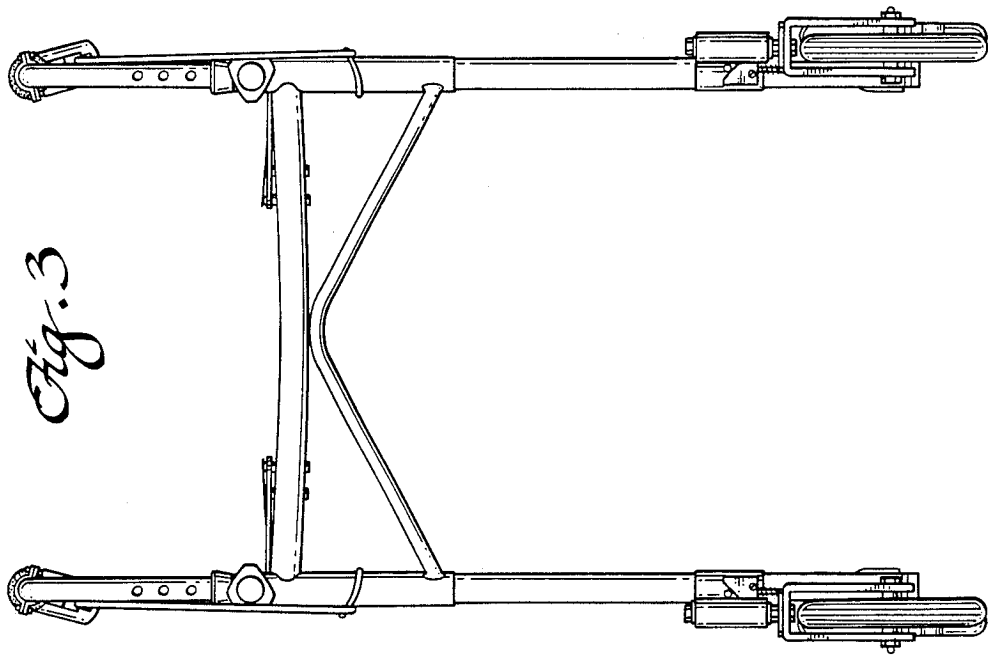
**DESCRIPTION**

FIG. 1 is a front perspective view of a foldable rolling walker showing my new design;  
 FIG. 2 is a side elevational view thereof, the opposite side view being a mirror image of that shown;  
 FIG. 3 is a front elevational view thereof;  
 FIG. 4 is a top plan view thereof;  
 FIG. 5 is a rear elevational view thereof;  
 FIG. 6 is a top plan view thereof in a folded condition;  
 FIG. 7 is a front elevational view of FIG. 6;  
 FIG. 8 is a side elevational view of FIG. 6;  
 FIG. 9 is a rear elevational view of FIG. 6.

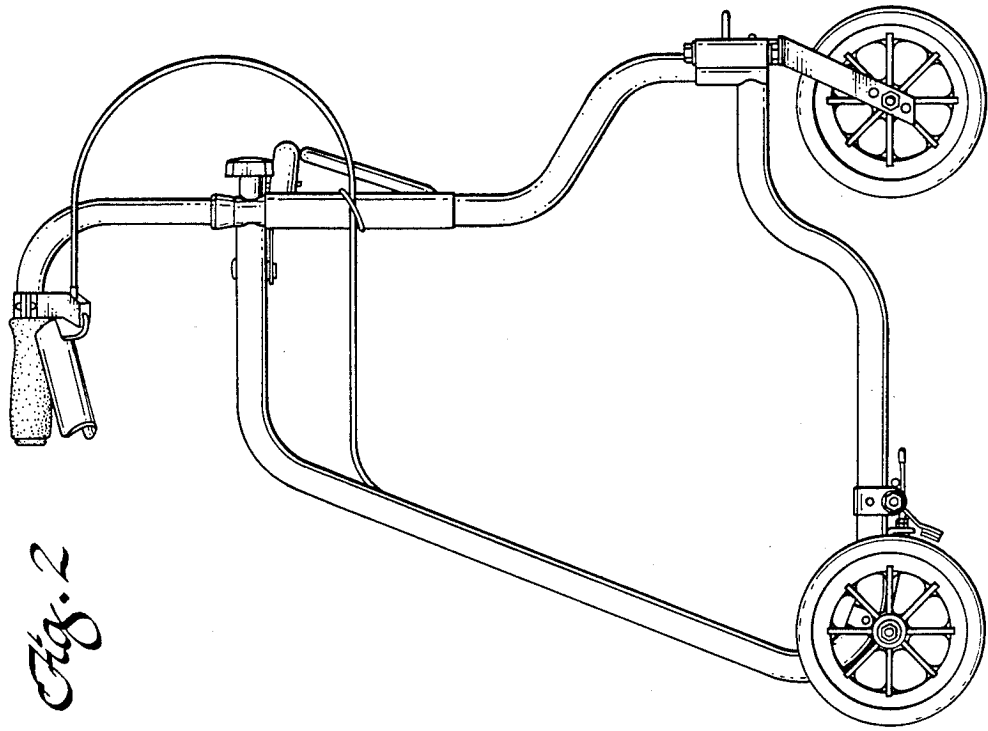


*Fig. 1*

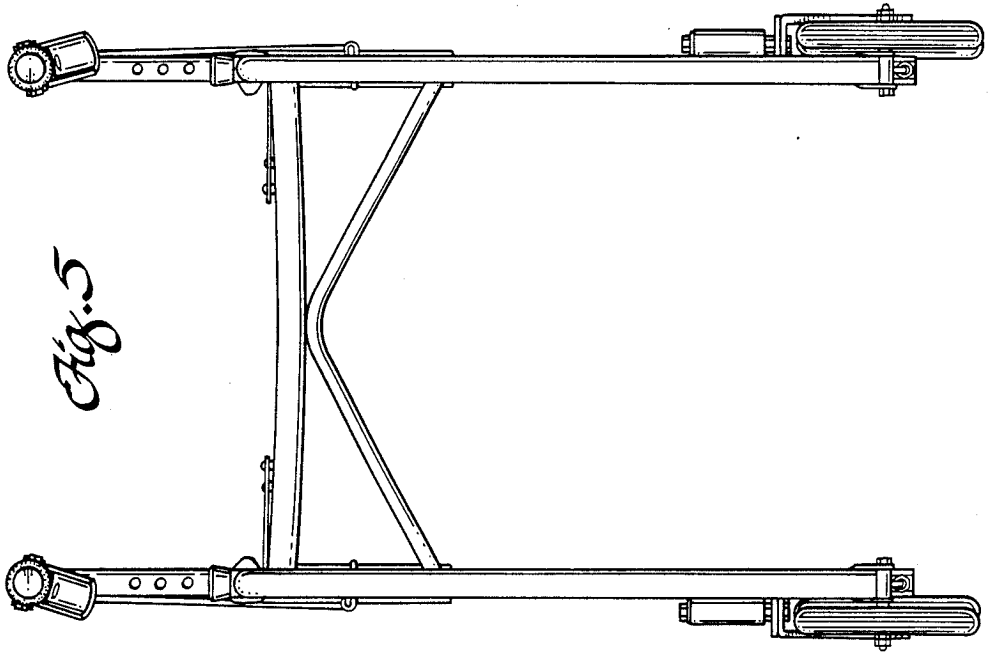




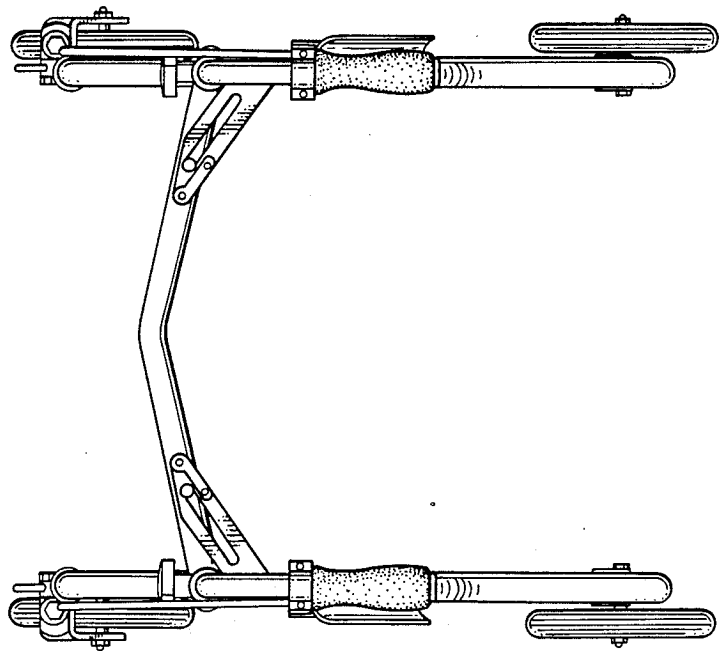
*Fig. 3*



*Fig. 2*

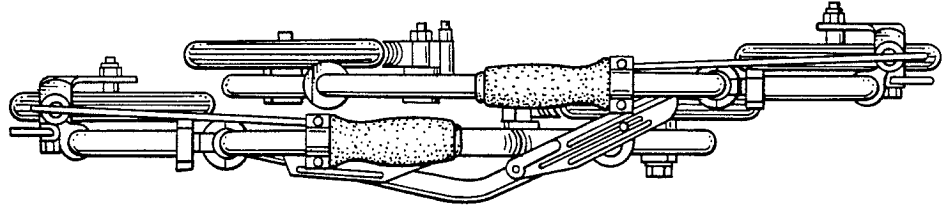


*Fig. 5*

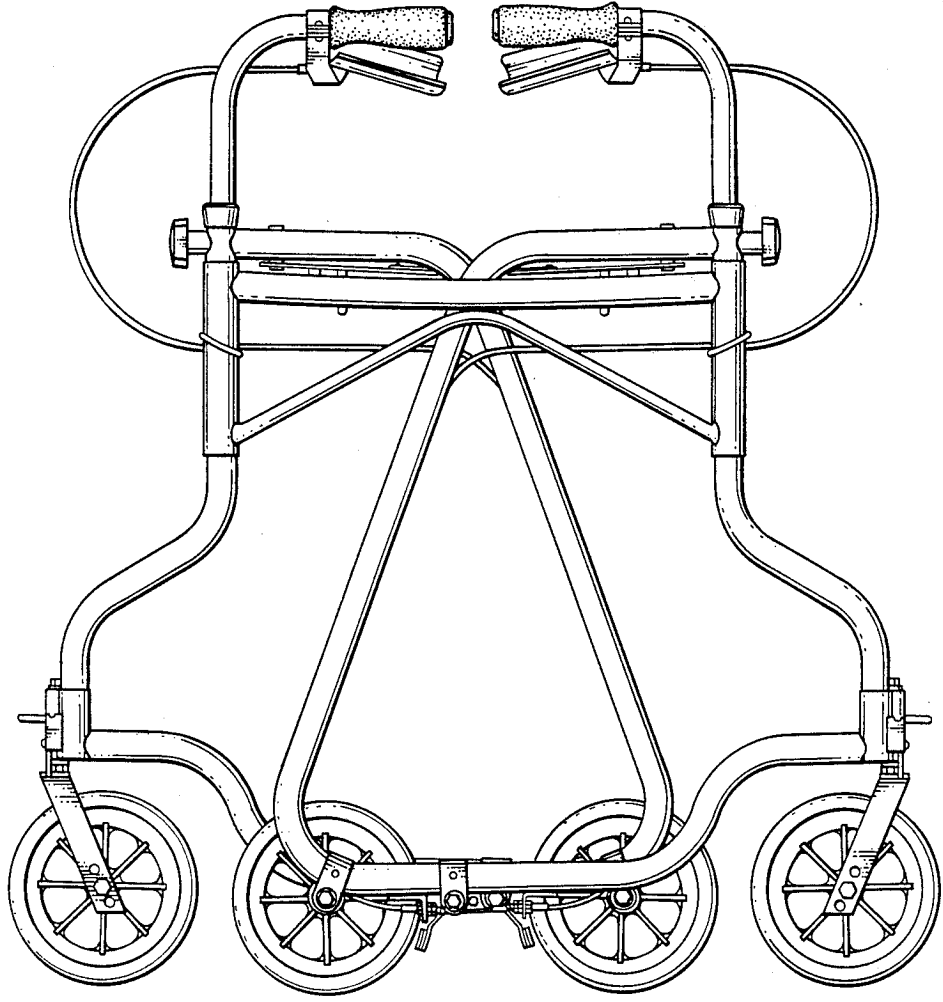


*Fig. 4*

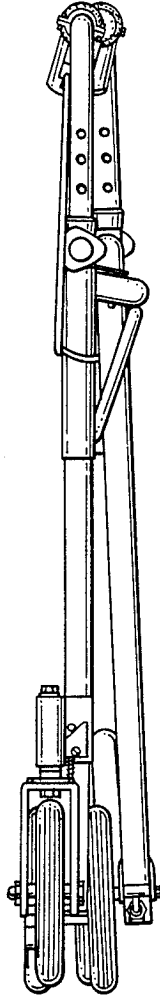
*Fig. 6*



*Fig. 7*



*Fig. 8*



*Fig. 9*

